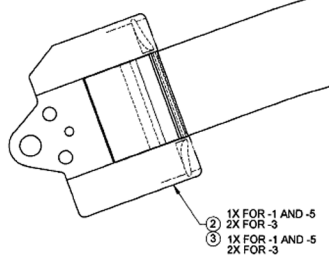
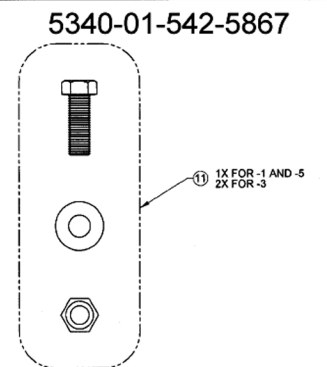
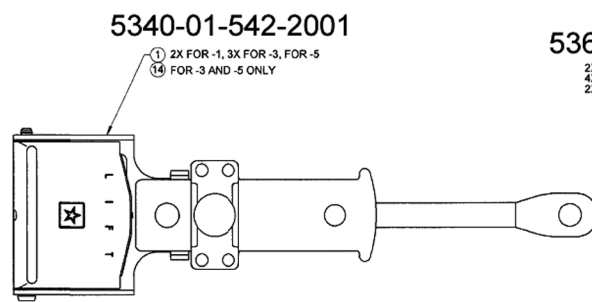
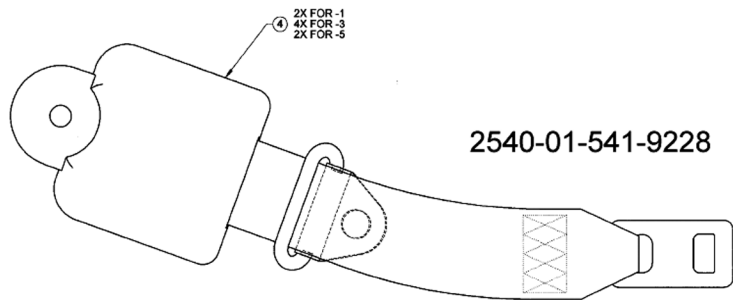


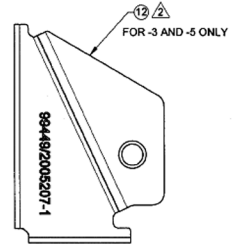
Koch Seat Restraint System (M1114)

NSN For complete kit: 2540-01-542-5419

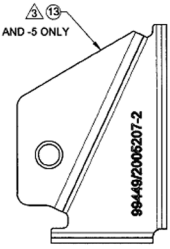
REVISIONS				
REV	E.O. NO.	DESCRIPTION	DATE	APPROVED
NC	05-274	PRODUCTION RELEASE	11/11/05	CVD
A	05-362	SEE E.O.	11/29/05	CVD
B	06-003	SEE E.O.	1/19/06	CVD
C	06-073	SEE E.O.	7/27/06	DJK



5340-01-542-3351



5340-01-542-4800



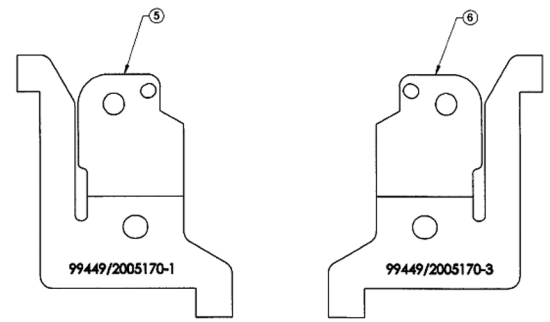
5340-01-542-4794

This document and all information contained herein is the exclusive proprietary property of H. Koch & Sons Co. It is disclosed with the understanding that it will be retained in confidence and will not be duplicated or copied in whole or in part or used for any purpose other than that for which disclosed, and will be returned to H. Koch & Sons Co. on demand.

Blue dot (Left front/rear): 2540-01-542-3809
 Red dot (Right front/rear): 2540-01-541-9465

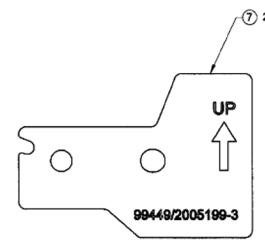
REFERENCE ONLY

09/20/06

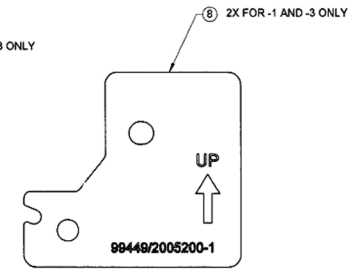


5340-01-542-6993

5340-01-542-6996



5340-01-542-1716



5340-01-542-2540

QTY	REQD	PART OR IDENTIFYING NO.	NOMENCLATURE OR DESCRIPTION	MATERIAL/SPECIFICATION	CODE IDENT	ITEM NO.
1	1	2005176-3	BUCKLE ASSEMBLY			14
1	1	2005207-2	BRACKET, FRONT, VEHICLE			13
1	1	2005207-1	BRACKET, FRONT, VEHICLE			12
1	2	1	2005187-1	HARDWARE, BOLT KIT		11
2	4	2	2005194-1	PLATE, ANTI-ROTATION		10
2	4	2	2005193-1	COVER, ANTI-ROTATION		9
2	2	2	2005200-1	BRACKET, REAR		8
2	2	2	2005199-3	BRACKET, REAR		7
1	1	1	2005170-3	BRACKET, FRONT		6
1	1	1	2005170-1	BRACKET, FRONT		5
2	4	2	2005174-1	STRAP ASSEMBLY, SHOULDER		4
1	2	1	2005175-3	STRAP ASSEMBLY, LAP (RED DOT)		3
1	2	1	2005175-1	STRAP ASSEMBLY, LAP (BLUE DOT)		2
1	3	2	2005176-1	BUCKLE ASSEMBLY		1

2. IDENTIFY PER MIL-STD-130.

1. THIS RESTRAINT SYSTEM MEETS THE FOLLOWING REQUIREMENTS:
- A. FMVSS 208 FOR HMMWV
 - B. FMVSS 209 EXCEPT TORSO REEL NOMINAL LOCK AT 0.85G.
 - C. ENVIRONMENTAL TESTING PER U.S. ARMY CONTRACT # W911SG-05-P-0909 AND W911SG-05-P-0994.
 - D. HUMAN FACTORS EVALUATION (HFE) PER U.S. ARMY CONTRACT # W911SG-05-P-0909 AND W911SG-05-P-0994.
 - E. MILES TESTING (ROAD WORTHINESS) PER U.S. ARMY CONTRACT # W911SG-05-P-0909 AND W911SG-05-P-0994.

NOTES - UNLESS OTHERWISE SPECIFIED:

PARTS LIST		H. KOCH & SONS CO. ANAHEIM CALIFORNIA 92607	
1 OF -1	FINAL	UNLESS OTHERWISE SPECIFIED: DIMENSIONS ARE IN INCHES TOLERANCES ARE:	INTERPRET DIMENSIONS AND GEOMETRIES TO ENGRAVING PER: Y14.5-1994
REQUIRED	NEXT ASSEMBLY	WHOLE AND FRACTIONS: ±1/16	ANGULAR: MACH ±1°
APPLICATION		XX: .010	ANGULAR: WELD ±5°
		XXX: .005	XXX: ±.010
		XXXX: .002	XXXX: ±.010
		ALL DIMENSIONS APPLY BEFORE PLATING	
		THREADS PER FED-STD-H88	
		BREAK EDGES: R06-.015	
		FRESHEN AND FINISH	
		AVERAGE ROUGHNESS 32	
DATE	SCALE	ISSUE	SCALE
09/20/06	N/A	D	N/A
REV	CODE	ISSUE	SCALE
C	D	99449	N/A
REV	CODE	ISSUE	SCALE
C	D	99449	N/A
REV	CODE	ISSUE	SCALE
C	D	99449	N/A